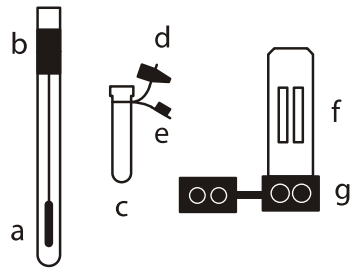
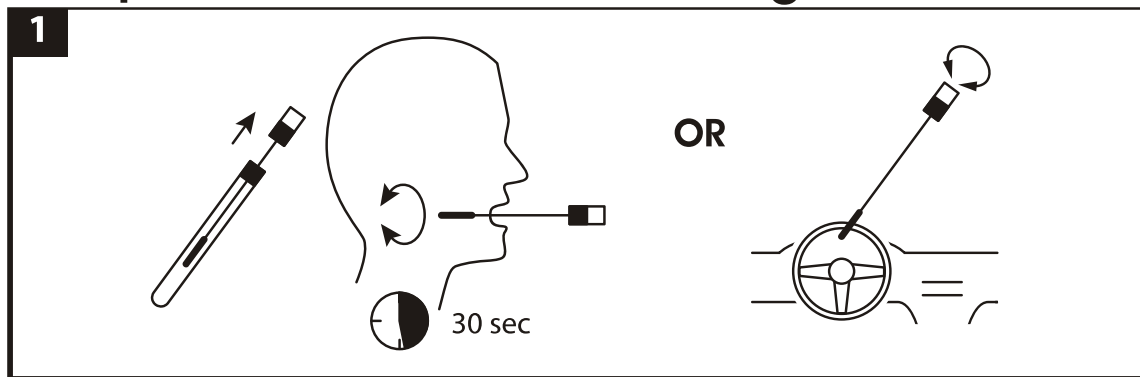


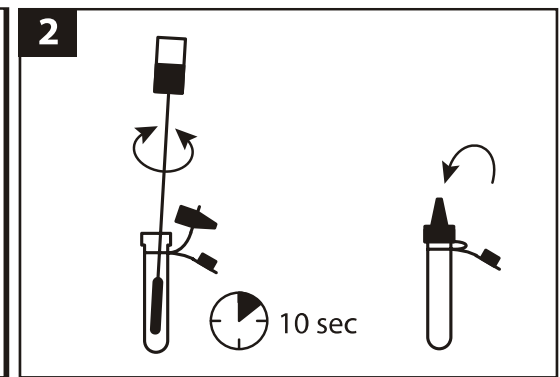
Rapid STAT Quick reference guide 7-RSM-0084



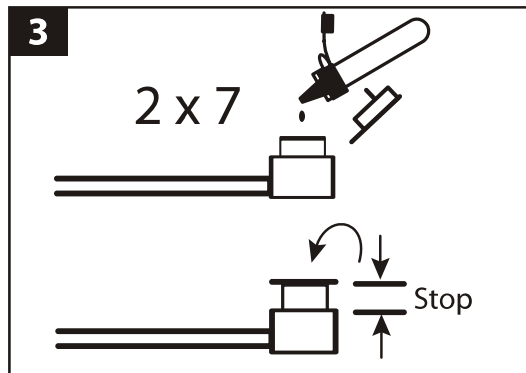
- a collector
- b aroma field
- c buffer bottle
- d dropper lid
- e closing cap
- f test field
- g incubation device



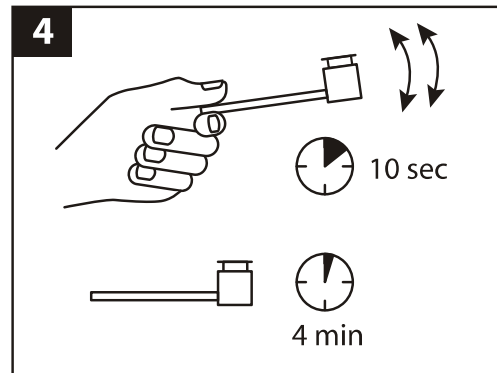
1. For saliva tests: instruct the donor to use the collection stick (a) like a tooth brush for approx. 30 seconds in both cheek pouches. **For wipe tests:** take the dry collection stick and wipe over the surface (approx. 10 sec.). **For pure substance tests:** Do not dip the collection stick completely into the substance, just wipe on the surface of the surrounding of the substance (f.e. Interior edge of the packing or bottle).



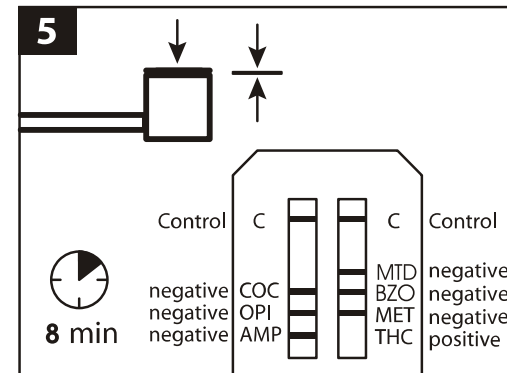
2. Wash out sample
Twist the collector with rotary movements in the buffer bottle (c) for 10 seconds stop-go. Put the dropper lid (d) onto the buffer bottle (c).



3. Put sample to test
Put 7 drops out of the buffer bottle (c) in each opening of the incubation device (g) and close the lid to the first stop.



4. Incubation phase
Shake the test for 10 seconds and wait 4 minutes.



5. Start and read test
To press down the lid lay down the test horizontally. Press down the lid completely. Now the evaluation time of 8 minutes starts.

